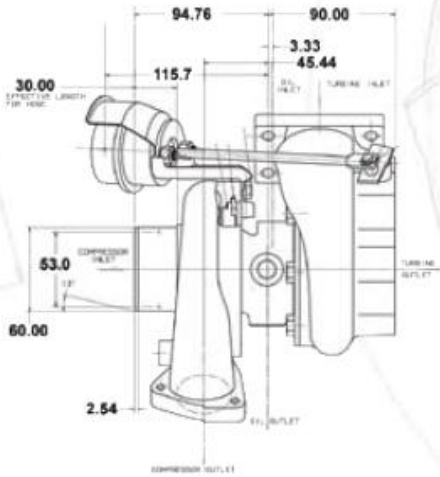


- Dual ball bearing, oil & water-cooled CHRA
- Internally wastegated turbine housing, complete with actuator
- Smallest ball bearing turbocharger
- Great size for applications with packaging constraints



| | | |
|---------------------------------|-----------------------------|------|
| DISPLACEMENT 1.4L - 2.2L | HORSEPOWER 170 - 270 | 2000 |
| | | 1900 |
| | | 1800 |
| | | 1700 |
| | | 1600 |
| | | 1500 |
| | | 1400 |
| | | 1300 |
| | | 1200 |
| | | 1100 |
| | | 1000 |
| | | 900 |
| | | 800 |
| | | 700 |
| | | 600 |
| | | 500 |
| | 400 | |
| | 300 | |
| | 200 | |
| | 100 | |
| | 0 | |

| Component | INLET | | OUTLET | |
|------------|-------|---------|--------|---------|
| | Page | Diagram | Page | Diagram |
| Compressor | 82 | 22 | 82 | 04 |
| Turbine | 83 | 01 | 85 | 11 |
| Oil | 84 | 11 | 84 | 18 |
| Water | 86 | 13 | 86 | 13 |

| GT2554R | | COMPRESSOR | | | | TURBINE | | |
|----------|-----------|-------------|-------------|------|------|---------|------|------|
| Turbo PN | CHRA PN | Ind Whl Dia | Exd Whl Dia | Trim | A/R | Whl Dia | Trim | A/R |
| 471171-3 | 446179-24 | 42.1mm | 54.3mm | 60 | 0.80 | 53.0mm | 62 | 0.64 |

